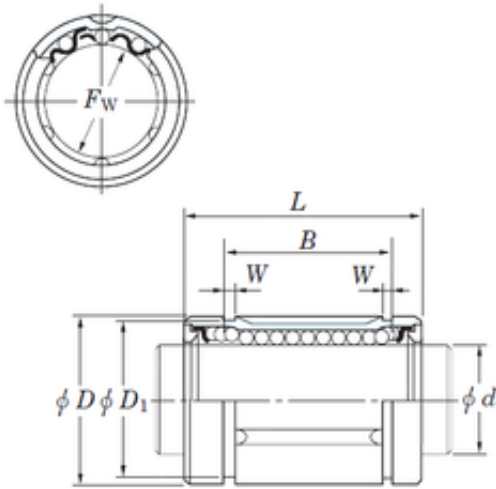




Jinan Kaiming Bearing Co., Ltd.

KOYO SDE10 linear bearings

Bearing No. SDE10



SDE10 Bearing 2D drawings and 3D CAD models

Size	10x19x22 mm
Bore Diameter	10 mm
Outer Diameter	19 mm
Width	22 mm
Fw	10 mm
D	19 mm
B	22 mm
D1	18 mm
L	29 mm
W	1,3 mm
Weight	0,027 Kg
Basic dynamic load rating (C)	259 kN