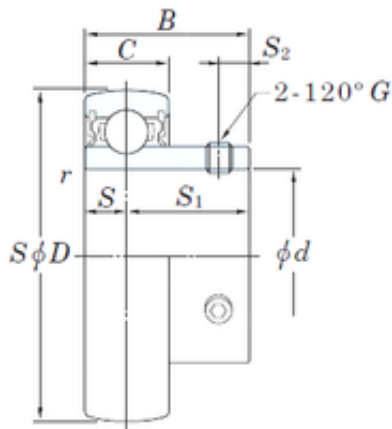




Jinan Kaiming Bearing Co., Ltd.



15,875 mm x 40 mm x 22 mm KOYO SB202-10 deep groove ball bearings

Bearing No. SB202-10

SB202-10 Bearing 2D drawings and 3D CAD models

Size	15.875x40x22 mm
Bore Diameter	15,875 mm
Outer Diameter	40 mm
Width	22 mm
d	15,875 mm
D	40 mm
B	22 mm
C	12 mm
S1	16 mm
r min.	0,6 mm
S	6 mm
S2	4 mm
Thread (G) - No,10-32UNF	No,1032UNF
Weight	0,1 Kg
Basic dynamic load rating (C)	9,55 kN
Basic static load rating (C0)	4,8 kN
Category	Bearings
Inventory	0.0
Manufacturer Name	KOYO
Minimum Buy Quantity	N/A
Weight / Kilogram	0
Product Group	M06110