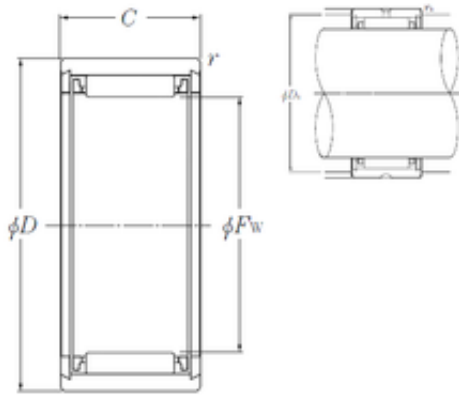




Jinan Kaiming Bearing Co., Ltd.

NTN NK9/12T2 needle roller bearings



Bearing No. NK9/12T2

NK9/12T2 Bearing 2D drawings and 3D CAD models

Size	9x16x12 mm
Bore Diameter	9 mm
Outer Diameter	16 mm
Width	12 mm
Fw	9 mm
D	16 mm
C	12 mm
r min.	0,3 mm
Da max.	10,5 mm
ra max.	0,3 mm
Weight	0,01 Kg
Basic dynamic load rating (C)	4,55 kN
Basic static load rating (C0)	5 kN
(Grease) Lubrication Speed	20000 r/min
rs min	0.3 mm
Lubrication hole on outer ring	Oui/Yes
k	2 mm
Radial clearance class	CN
Precision class	P0
Mass	0.01 kg
Cr	4.55 kN
C0r	5 kN
Nlim (grease)	20,000 rpm
Nlim (oil)	30,000 rpm
Min operating temperature,	-20 ° C



Jinan Kaiming Bearing Co., Ltd.

Tmin	
Max operating temperature, Tmax	120 ° C
Da max	10.5 mm
ras max	0.3 mm
Category	Roller Bearings
Inventory	0.0
Manufacturer Name	NTN
Minimum Buy Quantity	N/A
Weight / Kilogram	0.01
EAN	4547359129557
Product Group	B04144