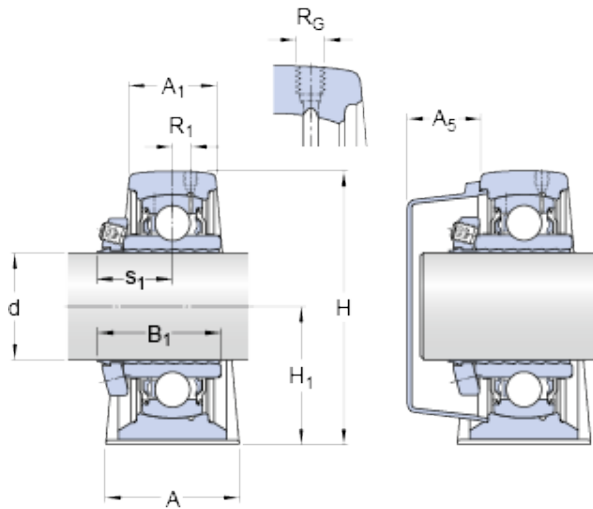




Jinan Kaiming Bearing Co., Ltd.

SKF SY 50 LF bearing units

Bearing No. SY 50 LF



SY 50 LF Bearing 2D drawings and 3D CAD models

Size	50x51.66x54 mm
Bore Diameter	50 mm
Outer Diameter	51,66 mm
Width	54 mm
d	50 mm
d	51.66 mm
A	54 mm
A ₁	34 mm
A ₅	29.5 mm
B ₁	46 mm
H	114 mm
H ₁	57.2 mm
H ₂	22 mm
J	157 mm
J - max.	165 mm
J - min.	149 mm
L	203 mm
H	26 mm
N ₁	18 mm
s ₁	27.5 mm
J ₆	187 mm
J ₇	19 mm
N ₄	4 mm
D _N	6.5 mm
SW	7 mm



Jinan Kaiming Bearing Co., Ltd.

N	
G_N - 1/4-28 SAE-LT	1/428 SAELT
R_G - 1/4-28 UNF	1/428 UNF
R_1	4 mm
R	45 °
Basic dynamic load rating - C	35.1 kN
Basic static load rating - C_0	23.2 kN
Fatigue load limit - P_u	0.98 kN
Limiting speed	4000 r/min
Weight	2.65 kg
Hexagonal key size for grub screw - H	3 mm
Recommended tightening torque for grub screw	7.4 N · m
Category	Mounted Units & Inserts
Inventory	0.0
Manufacturer Name	SKF
Minimum Buy Quantity	N/A
Weight / Kilogram	2.61
EAN	7316574719006
Product Group	M06110
Housing material	Cast iron
A_1	34 mm
A_5	29.5 mm
B_1	46 mm
H_1	57.2 mm
H_2	22 mm
J max.	165 mm
J min.	149 mm
N	26 mm
N_1	18 mm
s_1	27.5 mm



Jinan Kaiming Bearing Co., Ltd.

R_G	1/4-28 UNF
R_1	4 mm
R	45 °
D_N	6.5 mm
SW_N	7 mm
G_N	1/4-28 SAE-LT
J_6	187 mm
J_7	19 mm
N_4	4 mm
Basic dynamic load rating C	35.1 kN
Basic static load rating C_0	23.2 kN
Fatigue load limit P_u	0.98 kN
Mass bearing unit	2.65 kg
Thread grub screw G_2	M6
Hexagonal key size for grub screw N	3 mm
Recommended diameter for attachment bolts, mm G	16 mm
Recommended diameter for attachment bolts, inch G	0.625 in